



GLASFLÜGEL
ING. E. HÄNLE
7311 SCHLATTSTALL

TECHNISCHE MITTEILUNG
TECHNICAL NOTE

Nr: 205-5 e

Reference: Sailplane model Club Libelle 205
German Data Sheet No. 304, from Serial No. 1 to 65

Subject: Boot cover for control column

Reason: It was found that foreign objects may enter between the front control stick rocking lever and the control stick bearing support where they may jam the control system.

Urgency: May 1st, 1975.

Method: The control stick rocking lever according to drawing No. 205-41-4 is replaced by the new lever according to drawing No. 205-41-33. Additionally the FRP cover according to drawing No. 205-41-34 is attached by two screws M 5 to the stick supporting frame. Furthermore, two felt washers are added to the lower bearing of the rocking lever.

Material: According to drawing

Weight: No change

Center of Gravity: No change

Remarks: Accomplishment has to be entered in the aircraft log by the person in charge of the aircraft. This Technical Note is standard from Serial No. 66 and on.

Supply: Drawing and parts are delivered by Glasflügel.

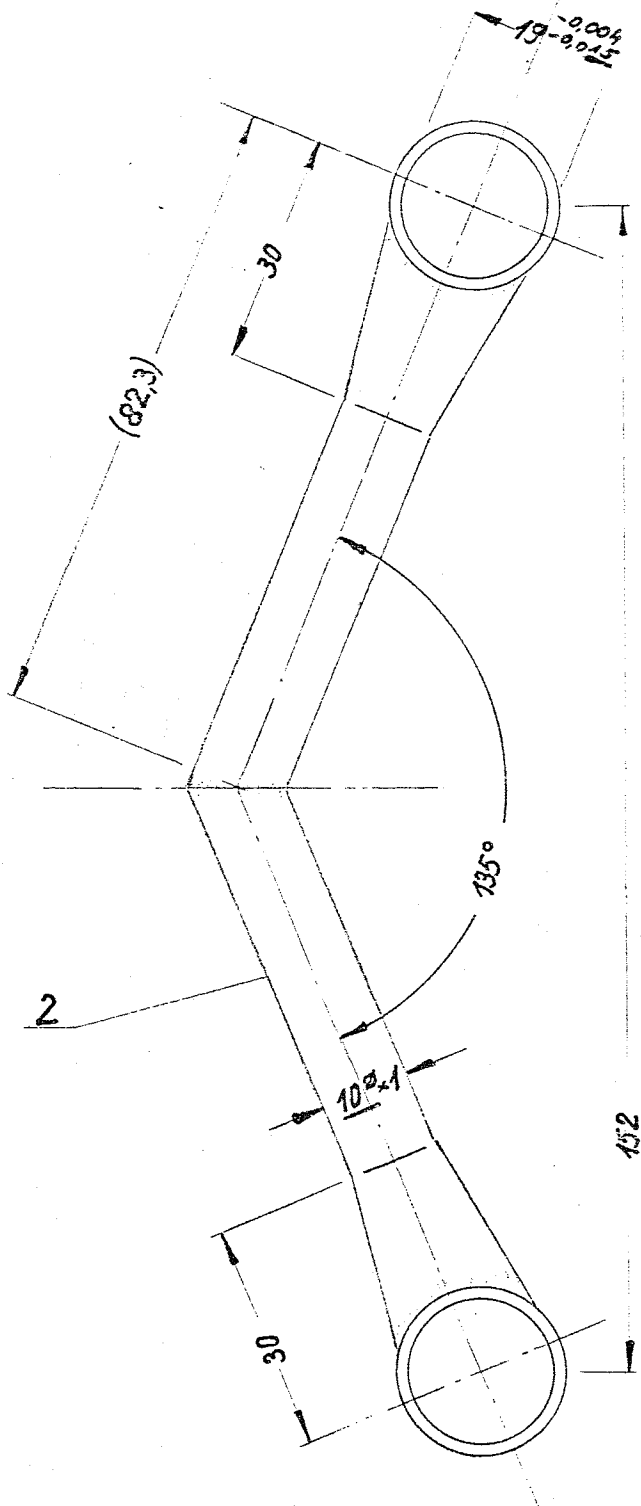
GLASFLÜGEL

Ing. E. Hänle

March 18th, 1975

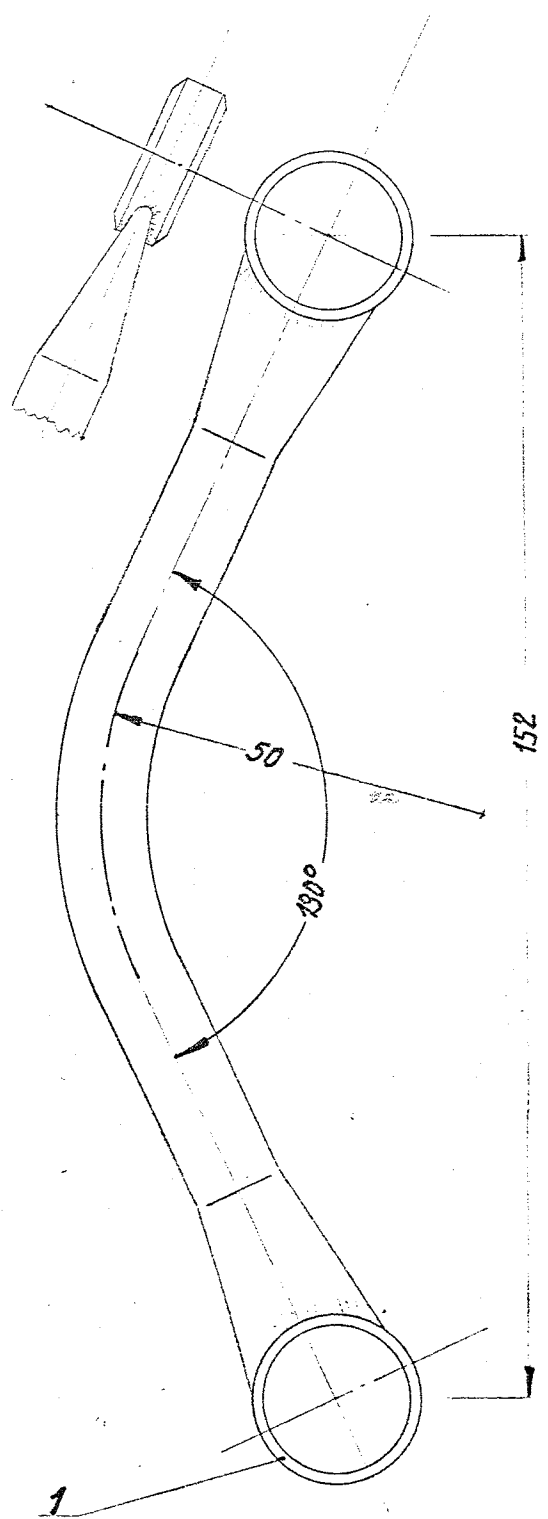
Grundwerkstoffe		Schweißzusatzwerkstoff	Schweißverfahren
Werkstoff 1	Werkstoff 2		
1.7734	1.7734	1.7734.2	nur WIG
	1.7214		
	St 35		
1.7214	1.7214	1.7324.0	WIG u. autogen
	St 35		
	St 35		
St 35	St 35	1.5424	

1 (2x) Anschweißring Zchnng 301-10-24
 Teil A 2 (2x) Rohr 10^ø x 1 x 79 St 35 NBK
 Teil B (1x) Rohr 10^ø x 1 x 148 St 35 NBK



Teil: A

Grundiert mit Wash-Primer.



Teil: B

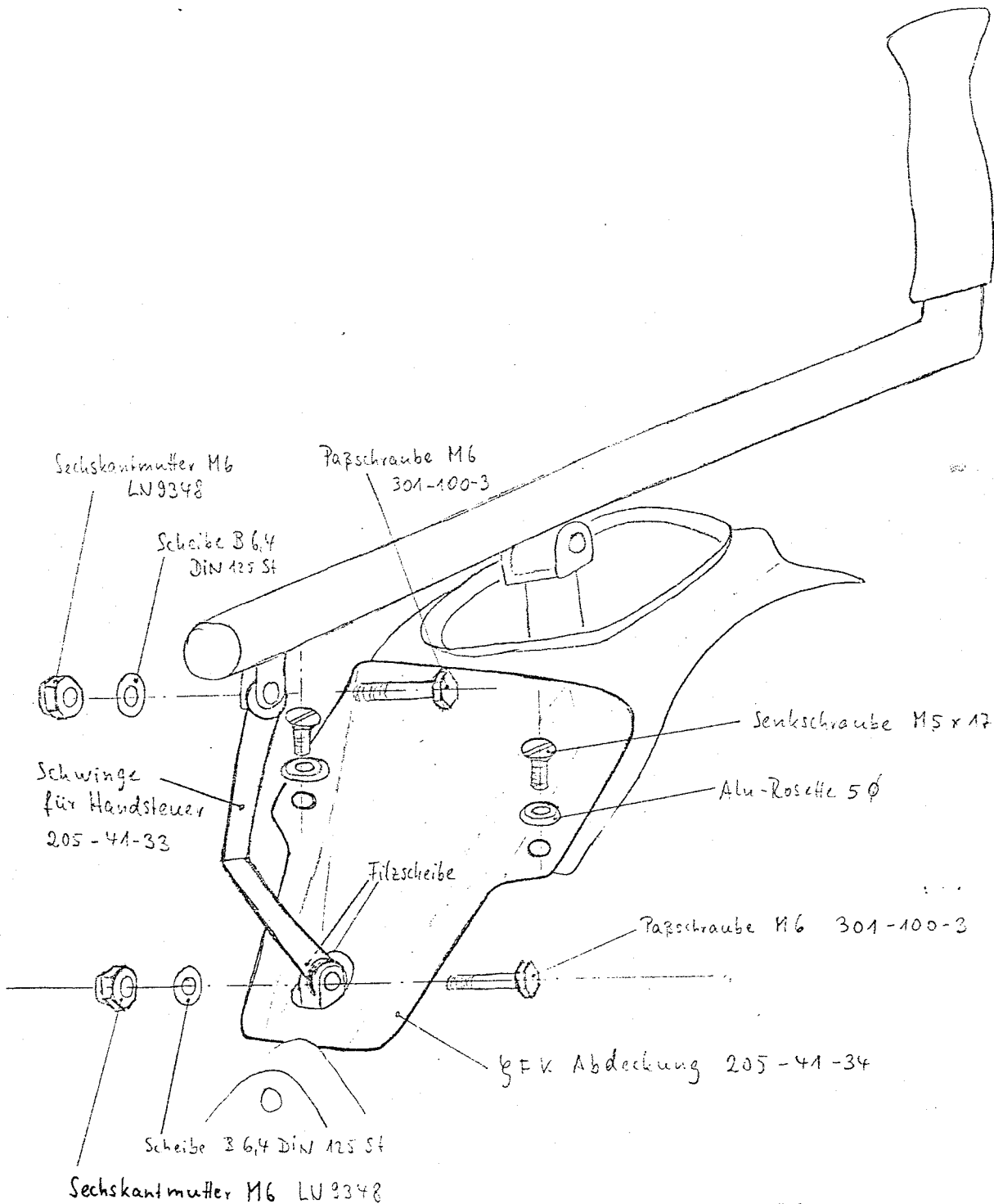
Decklackierung mit Nitro-Lack grau [RAL 7003.]



2. April 1975

	1:1	Schwinge f. Handsteuer	205-41-33	28.2.75 £.
--	-----	------------------------	-----------	---------------

Einbauskizze zur Durchführung der TM 205-5



GLASFLÜGEL
 ING. EUGEN HANLE
 SCHLATTSTALL Kr. NÜRTINGEN



- 2. April 1975