



<small>STANDARD 1000          200 500 1000 1500          LBA-NO. 301-33-8</small>	Modification number 25 Aircraft type H 301 "Libelle"	Page 1 Number of Pages 2
---	---	-----------------------------

Description: Locking guide for elevator assembly  
 Drawing -No. 301-33-8

The following modification is to be performed on all "Libelle" sailplanes through serial number 85. Serial number 86 and on will have this change incorporated at the factory.

Reason for modification

Inserting horizontal tail into fin, an improper assembly is possible. The installation of elevator locking guide prevents this.

Description of modification

Elevator locking guide must be installed on the left or right side of horizontal stabilizer in accordance with page 2 of modification. Drawing and parts may be obtained from GLASFLÜGEL, ING. EUGEN HÄNLE, 7311-SCHLATTSTALL/WTTBG./GERMANY

Modification procedure

Remove both front bolts of elevator main fitting and take care, that washers on both sides of the ball bearing don't drop.

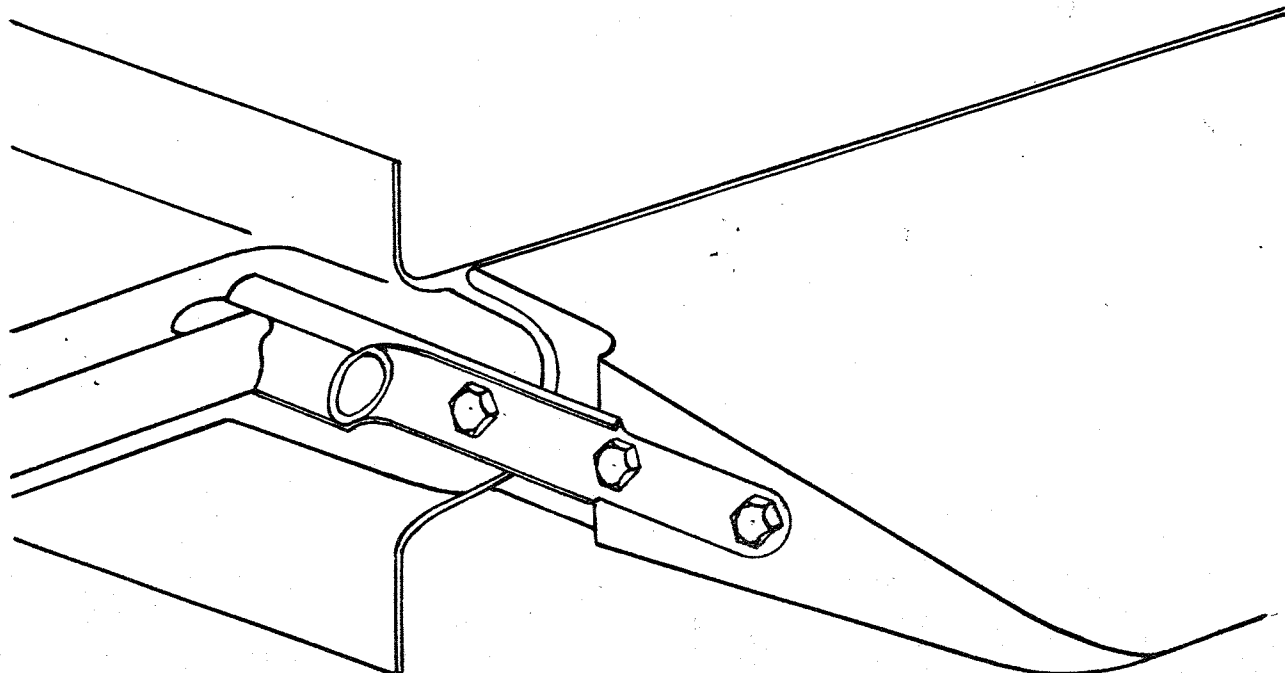
Reinstall elevator locking guide and fitting according to page 2.

Test-assembly!

Now check the guide when assembled for freedom of operation.

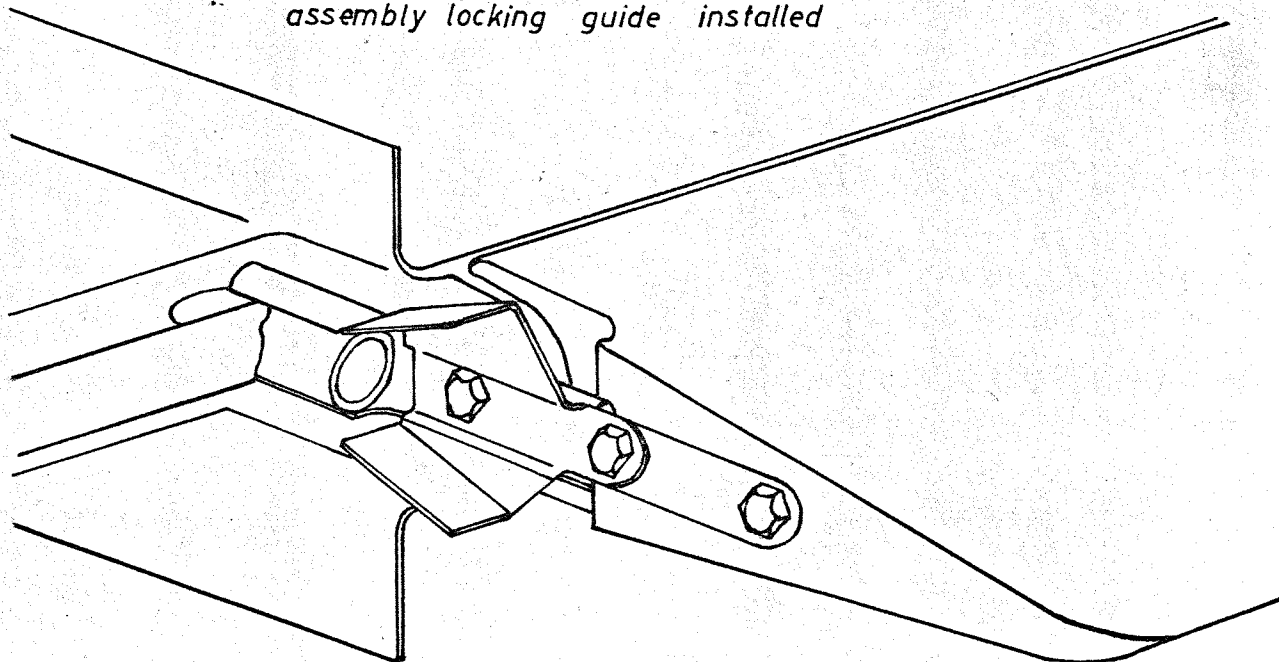
				LBA -Prüf- vermerk:	
Drawing-No.					
301-33-8				Dat.:	Name:
			ausgef.		
			geprüft:	30.9.68	Hänle
			stat.gepr.		

Ausführung bis Werk-Nr. 85  
construction through serial-number 85

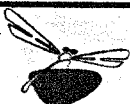


Teilansicht des Höhenleitwerks, R-Höhenruder-Hauptbeschlag  
sectional view of horizontal stabilizer, RH-elevator-main fitting

Sicherung eingebaut!  
assembly locking guide installed



GLASFLIEßEL  
KLEBERN, HOLZ, DREH- u. STYROL  
BA-Nr. 3543 SIM



Höhenruder-Montagesicherung  
Horizontal Tail Assembly Guide

Änderung  
Nr. 25  
Blatt 2

12.6.1968

Streifeneder